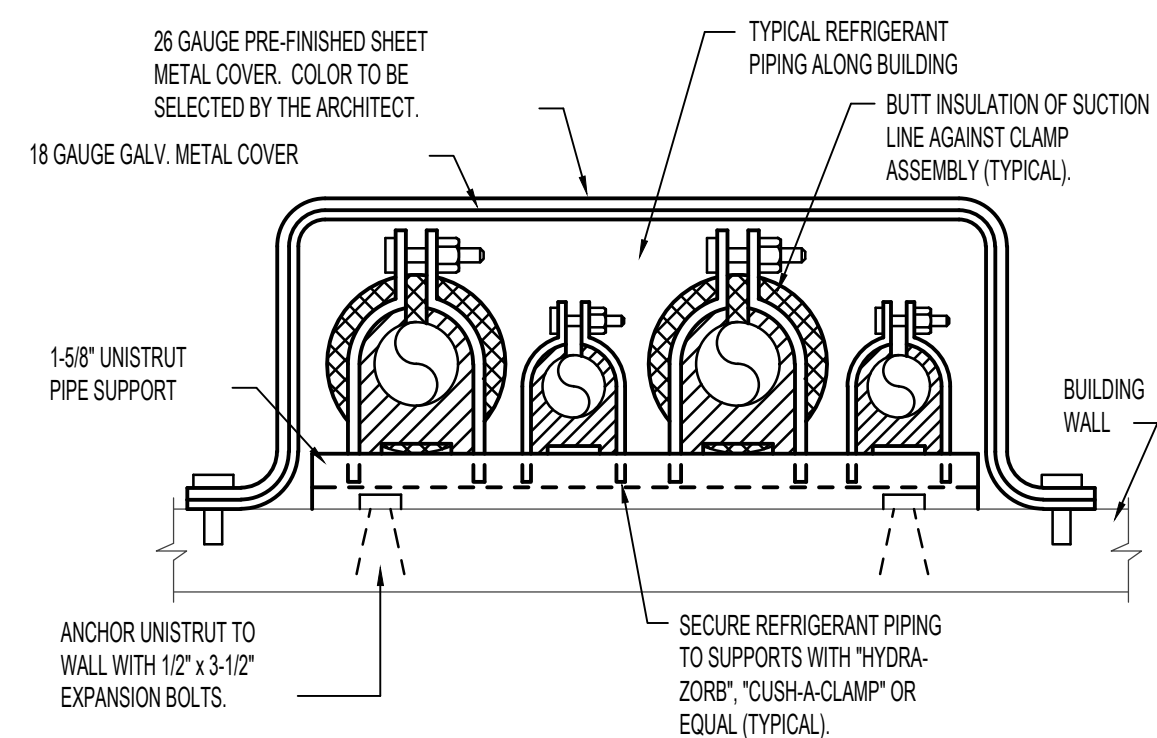


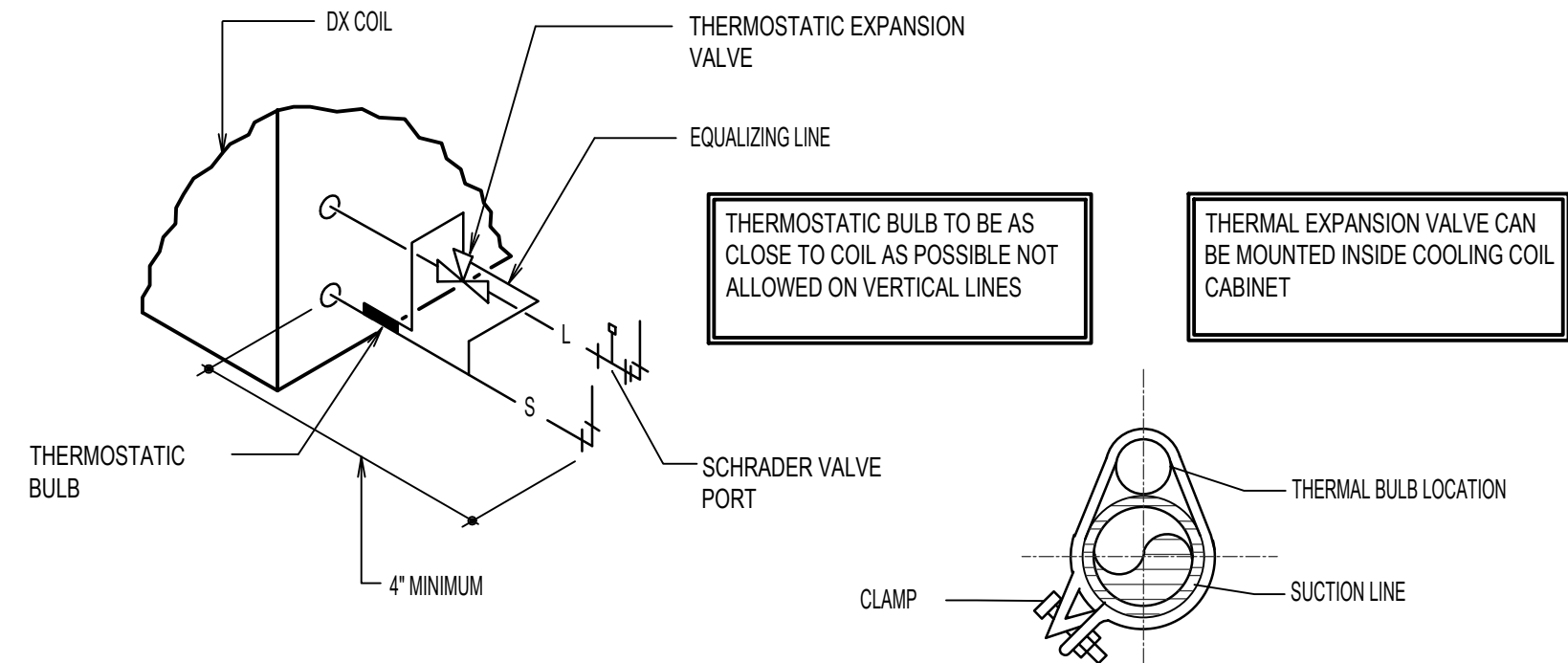
SUSPENDED REFRIGERANT PIPE SUPPORT AT CEILING

SCALE: NONE



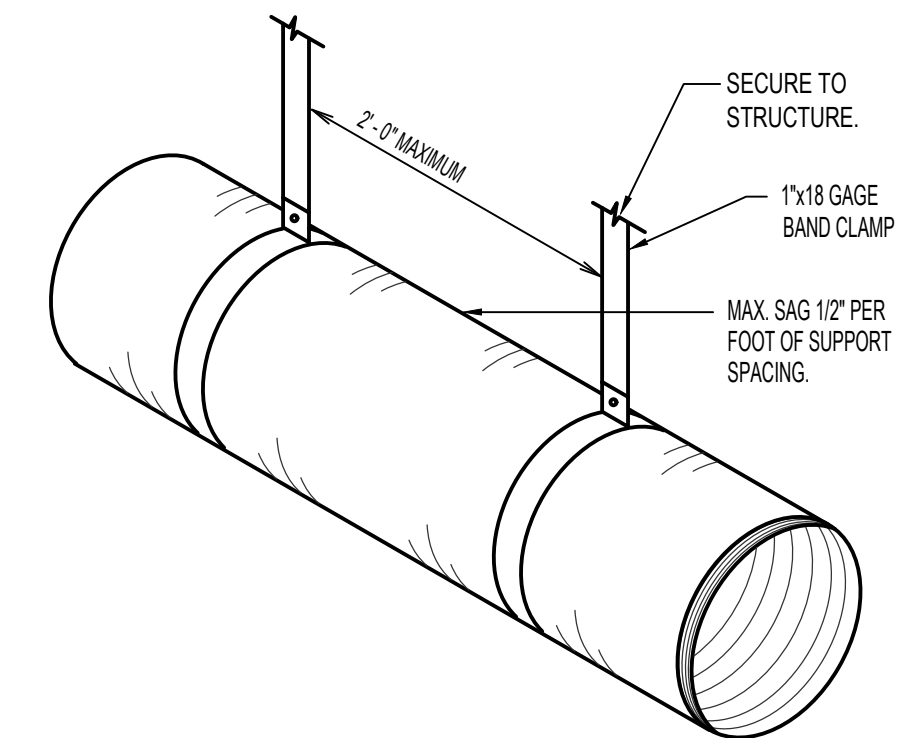
PIPE SUPPORT ALONG BUILDING

NO SCALE



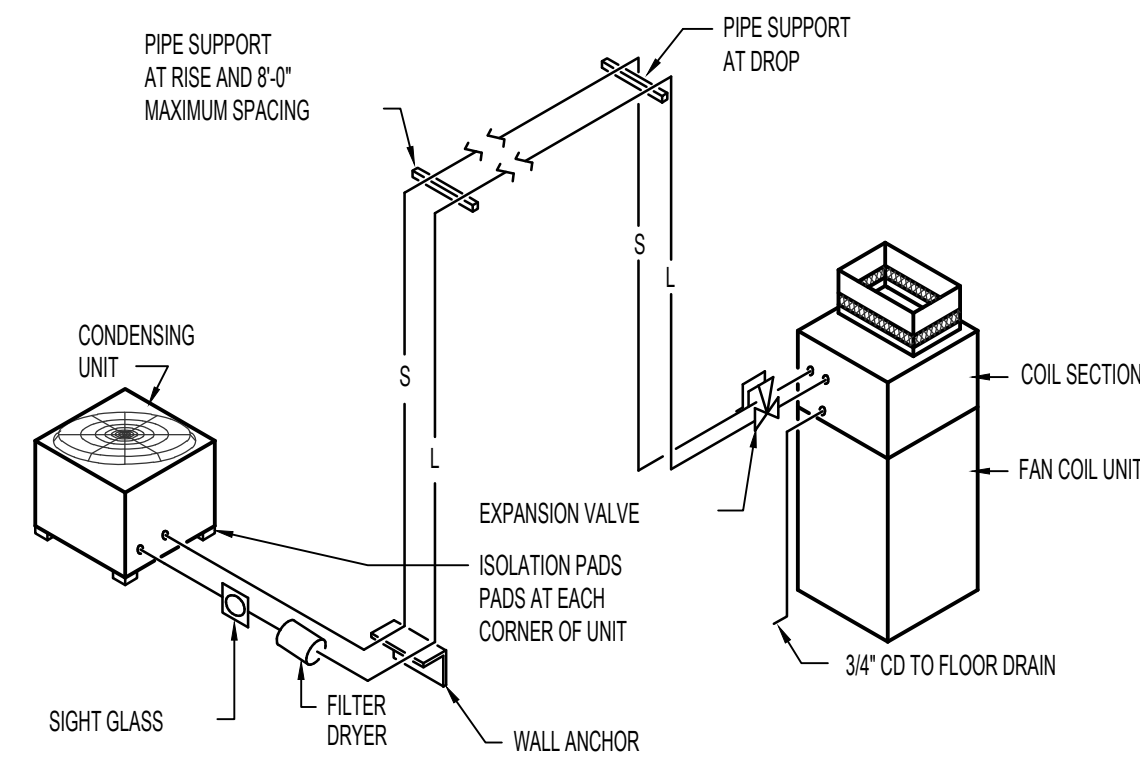
REFRIGERANT COIL CONNECTION DETAIL

SCALE: NONE



FLEXIBLE DUCT SUPPORT DETAIL

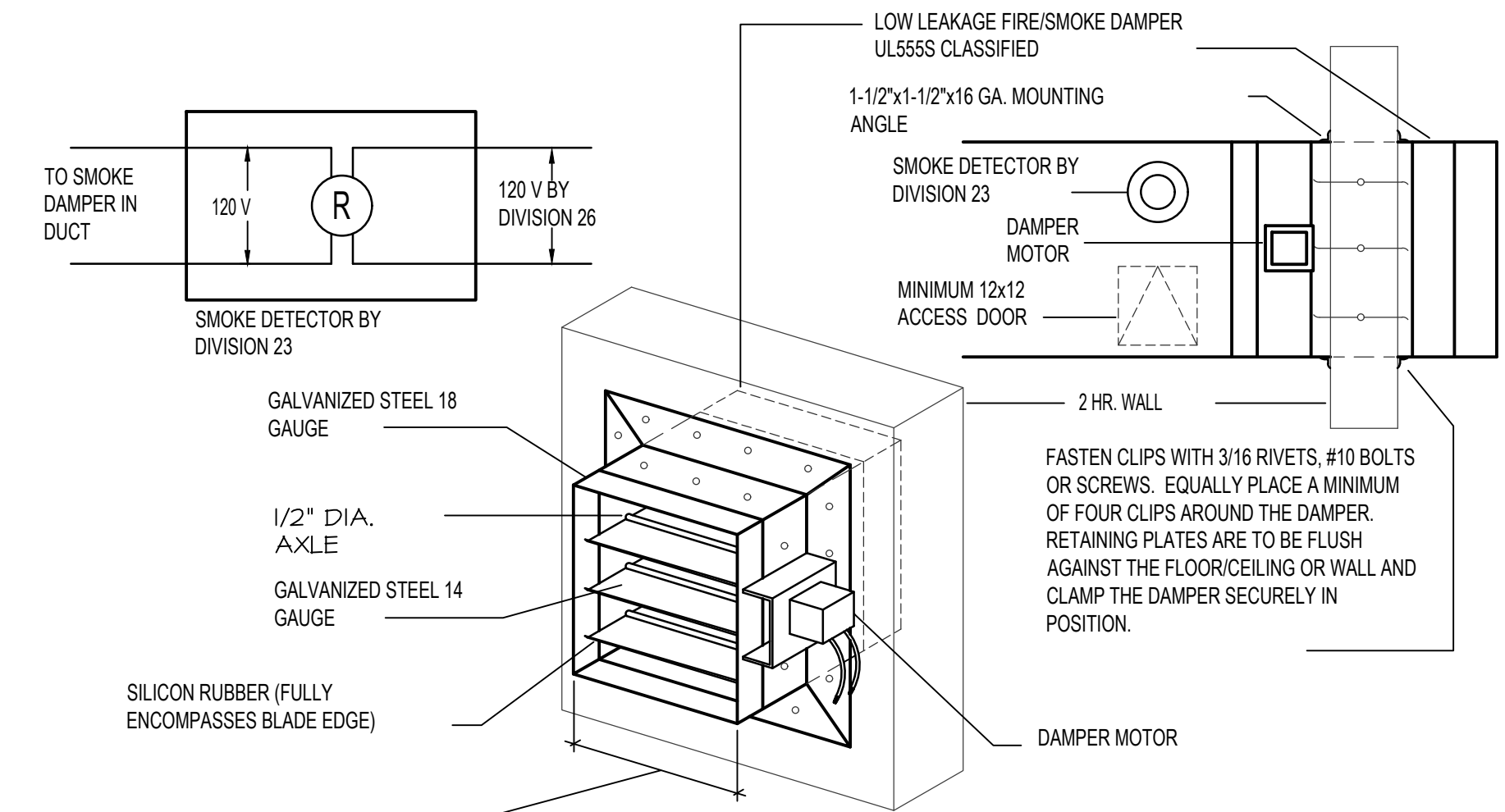
NO SCALE



REFRIGERANT PIPING DIAGRAM

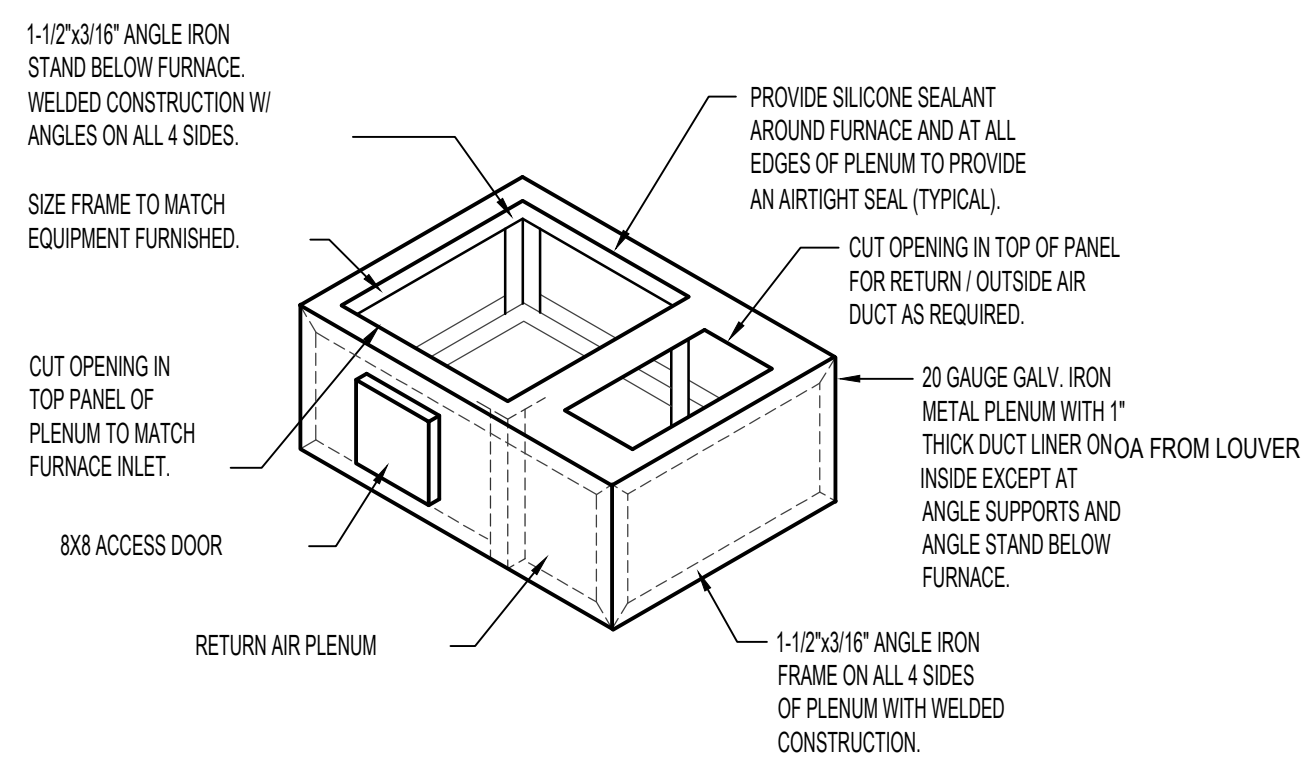
NO SCALE

REFRIGERANT PIPING LEGEND			
SYMBOL	DESCRIPTION	SYMBOL	DESCRIPTION
	FILTER DRYER		EXPANSION VALVE
	ROOF PENETRATION		MOISTURE INDICATING SIGHT GLASS
	EXTERIOR PIPE SUPPORT		LIQUID LINE
	WALL ANCHOR		SUCTION LINE
	SUSPENDED PIPE SUPPORT		TRAP - ONE PIECE FACTORY FABRICATED
	CONDENSING UNIT		DX COOLING COIL
	REFRIGERANT SHUT-OFF VALVE		



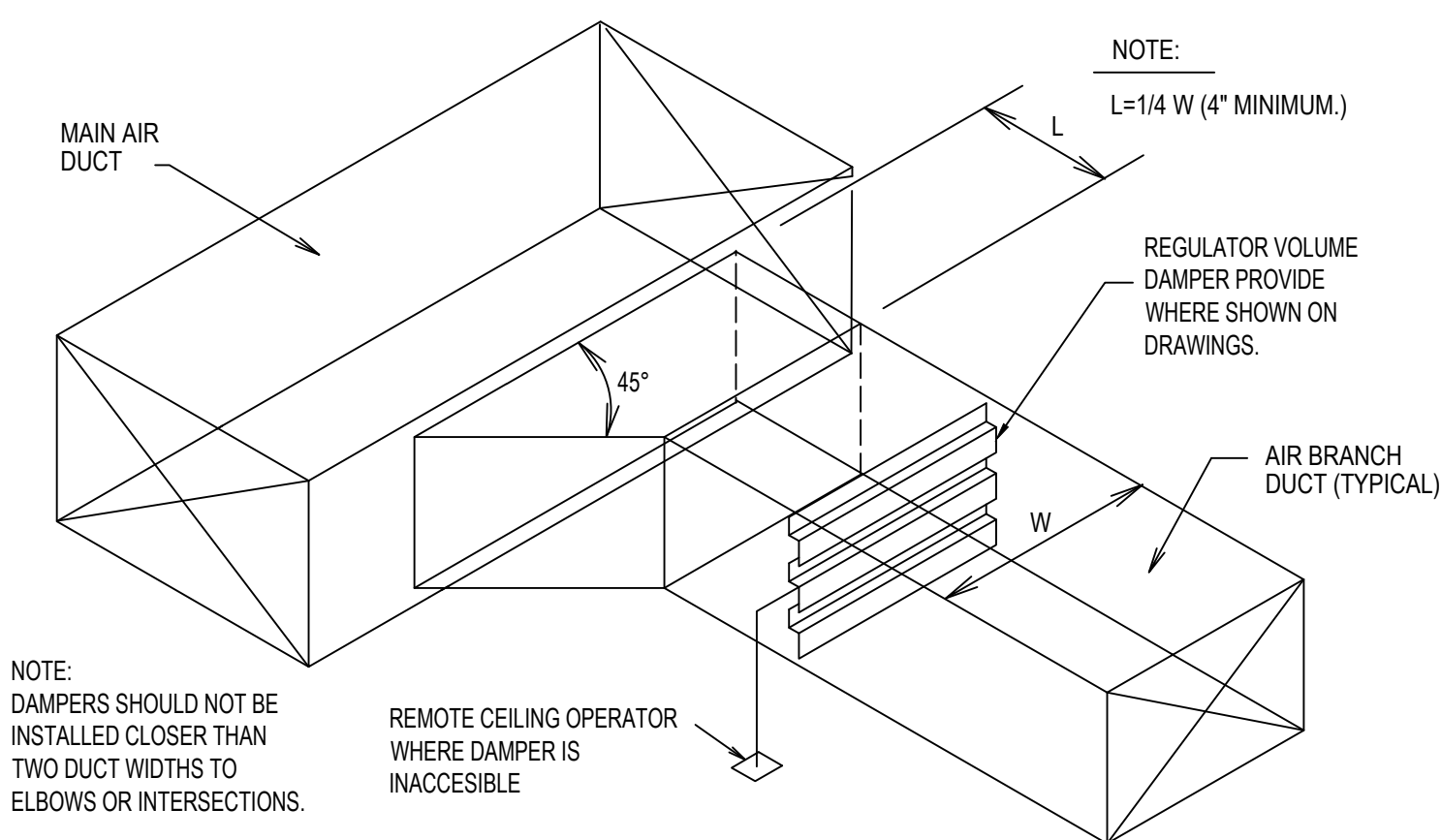
SQUARE SMOKE-FIRE DAMPER DETAIL

NO SCALE



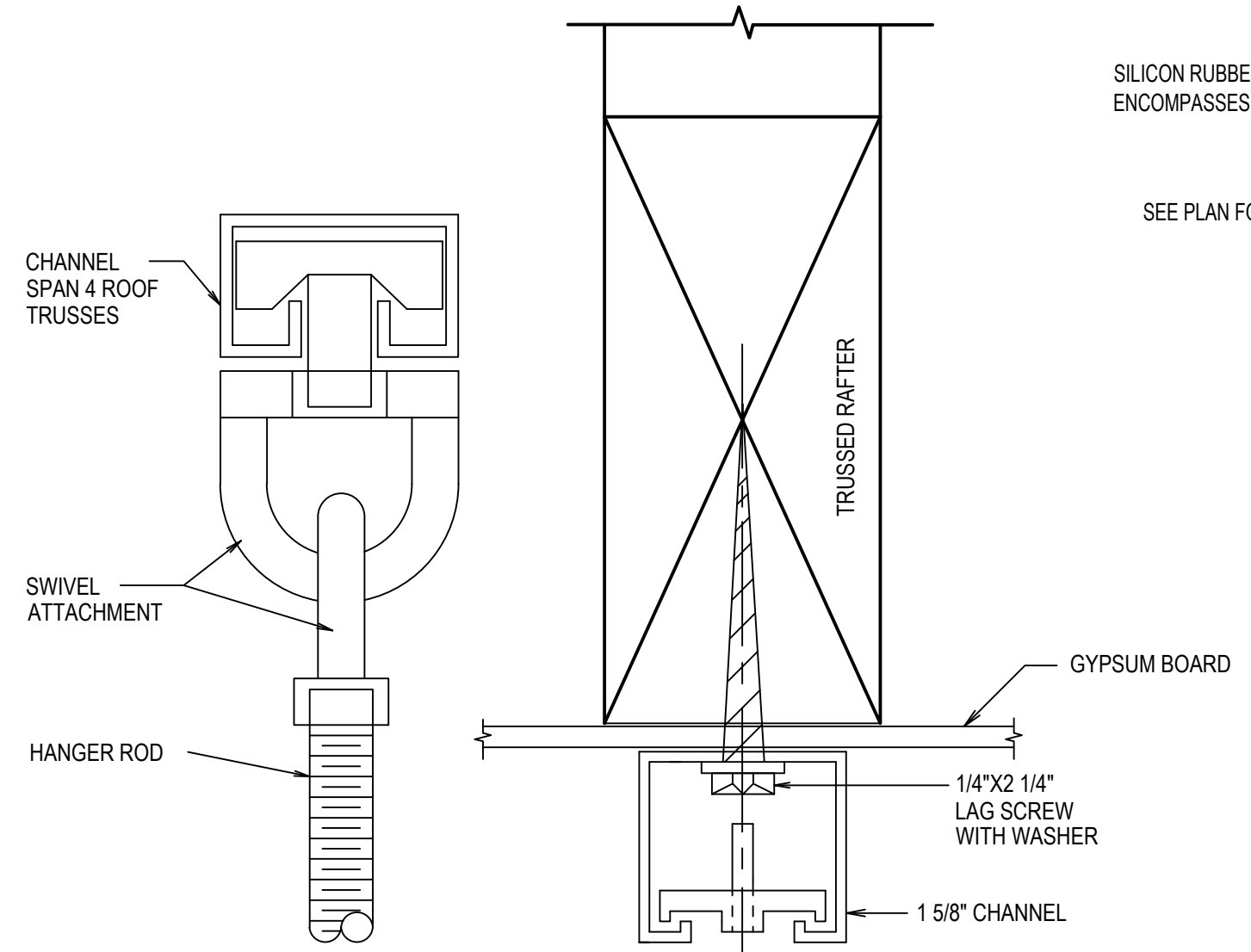
RETURN AIR PLENUM DETAIL

NO SCALE



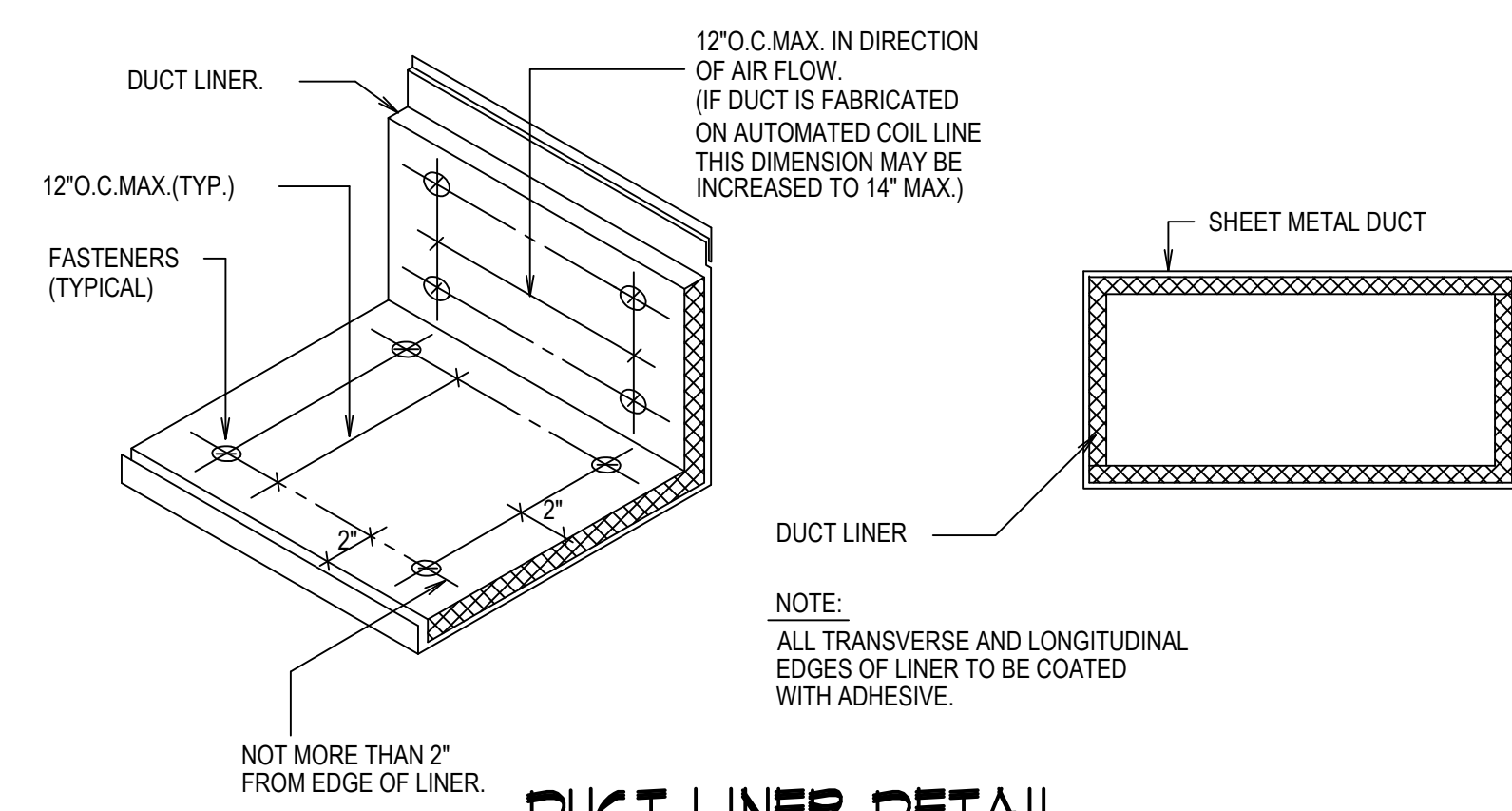
SUPPLY OR RETURN AIR DUCT BRANCH CONNECTION DETAIL

SCALE: NONE



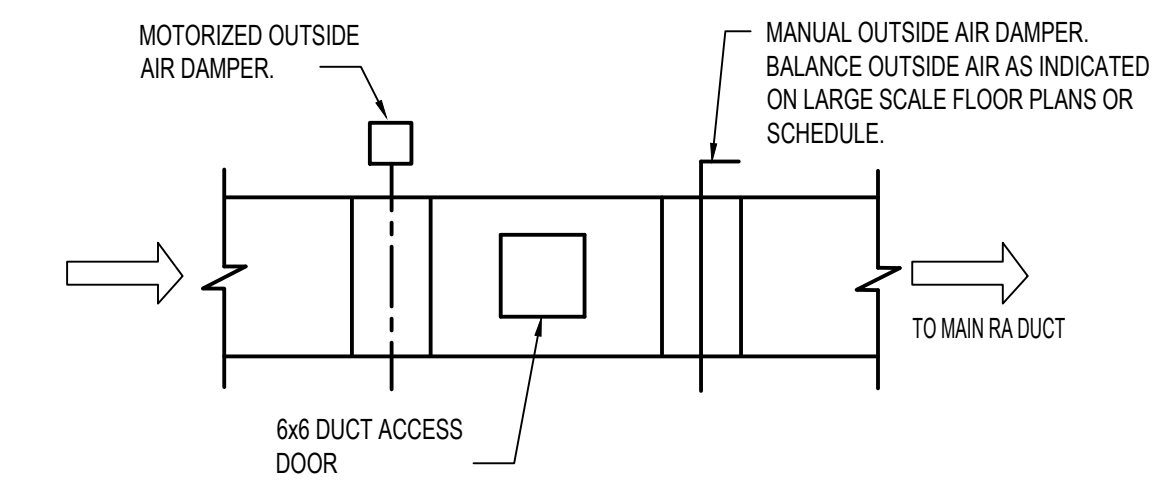
UPPER ATTACHMENT DETAIL

SCALE: NONE



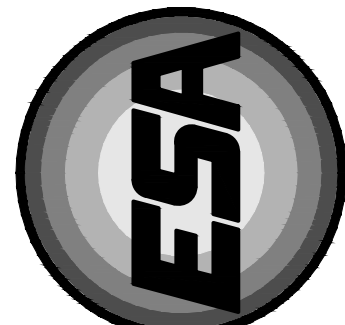
DUCT LINER DETAIL

SCALE: NONE



TYPICAL OUTSIDE AIR DUCT DETAIL

NO SCALE



Engineered Systems Associates
Mechanical Engineers

Dwayne Sudweeks
 1355 East Center - Pocatello, Idaho 83201
 Phone: (208) 233-0501 Fax: (208) 233-0529 email: esa@engsystems.com

PROPERTY # 521-1514
 ZONE 5 | SEC 5 | PLAT 004 | PARCEL 15

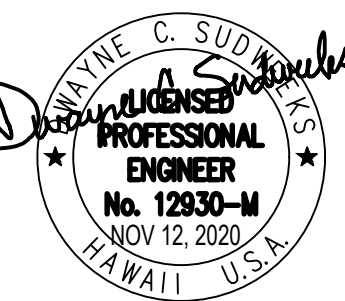
HVAC UPGRADE FOR:
LDS LAIE 1,8,9

LAIE, HAWAII

55-1109 LANIHULI ST

MECHANICAL DETAILS

PROJECT:



DRWN. BY: T DAVIS	CKD. BY: D.SUDWECKS
JOB NO. 20040	DATE: NOV 2020

SHEET:
ME3.2
 OF: 13